

Fireshield™ Fire Suppression System

The Spaceworx Fireshield™ Fire Suppression System is a heat-activated fire suppression unit designed as an alternative to piped sprinkler heads only inside the Spaceworx modular Privacy Booths.

Applications:

- Ideal Where Pipes aren't Feasible
- Fire-safe, Mobile Spaceworx PODs

Benefits:

- Maintain Modular Design
- Fast and Easy Installation
- Cost-Effective Solution

Safety:

- Early Fire Detection
- Targeted Suppression
- Non-Toxic

Technical Specifications:

- Activation Temperature: 135°F (57°C) (for cover to fall)
- Suppression Activation Temperature: 165°F (74°C) (for sprinkler head)
- Extinguishing Agent: ABC Dry Chemical Powder
- Discharge Time: Less than 10 seconds
- Service Life: 12 years from date of manufacture (or upon discharge)
- Sprinkler Head Rating: 165°F

Features:

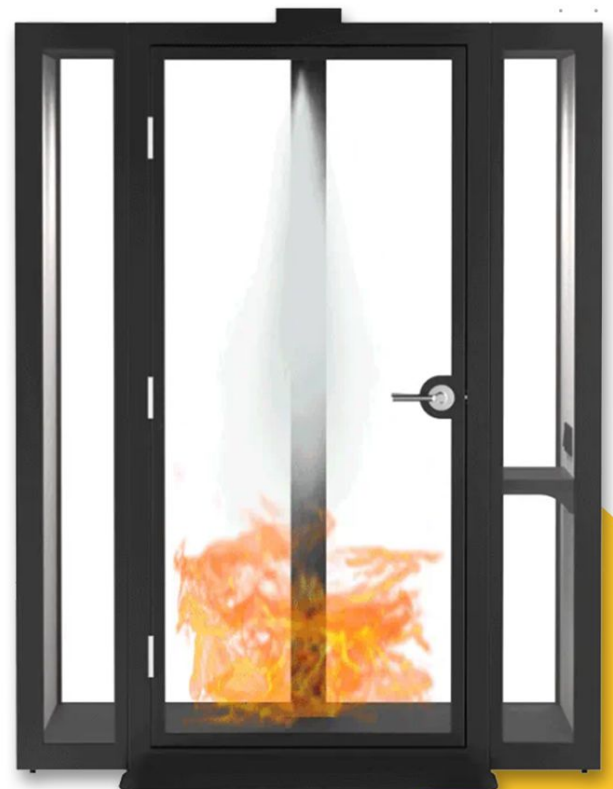
- Heat Activated Cover
- Pre-filled and Disposable
- Low Maintenance
- Spot Fire Protection
- Made in USA

Consult with your local fire marshal or permitting office for approval before purchasing, as Spaceworx cannot be held responsible for any accidental discharge or injury resulting from product usage.

HORIZONTAL MOUNT

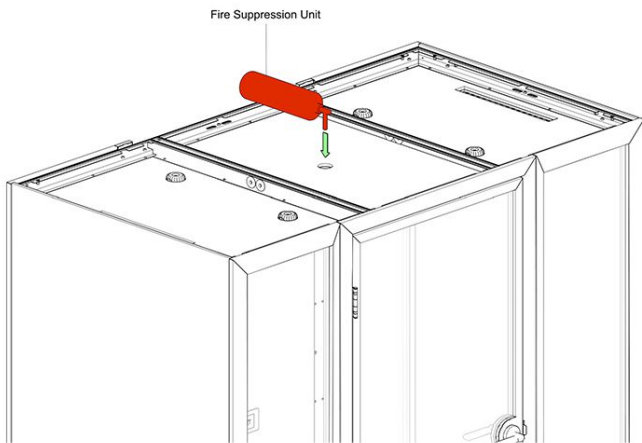


Part No.	80251	80521
• Agent Capacity	2.5 lbs. (1.13 kg)	5 lbs. (2.3 kg)
• Ship Weight	4 lbs. (1.8 kg)	11 lbs. (5 kg)
• Operating Pressure	100 psi (689 kPa) @ 70°F	100 psi (689 kPa) @ 70°F
• Storage Temperature Range	/	-65° to 120° F
• Unit Length	14.25 in (36.2 cm)	17.25 in (43.8 cm)
• Unit Diameter	3.375 in (8.6 cm)	4.25 in (10.8 cm)
• Max. Total Flood Volume	120 cu. ft.	180 cu. ft.
• Max. Local Application Coverage Area	4 x 4 ft.	4 x 6 ft.
• Max. Height Above Hazard Local Application	/	4
• Max. Height Above Hazard Flood Application	7.5 ft.	7.5 ft.
• Mounting Bracket (Sold Separately)	700287	700270

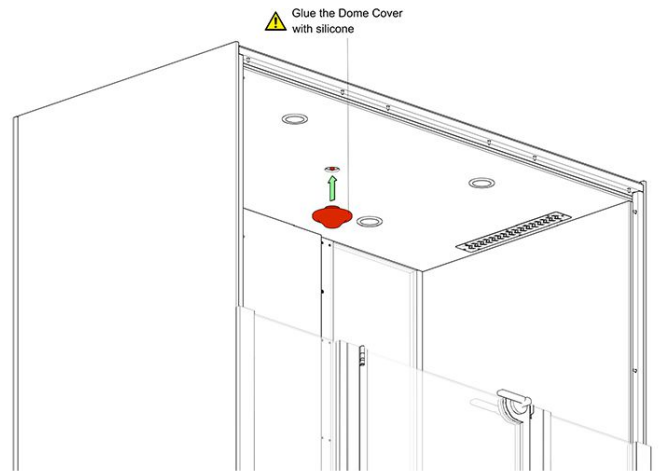


Installation Guide

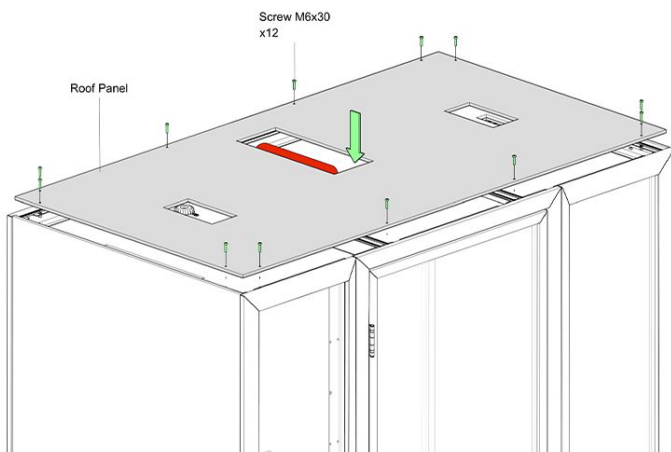
1



2



3



4

